

PLEASE CHECK WWW.MOLEX.COM FOR LATEST PART INFORMATION

Part Number: [0740950020](#)
Status: **Active**
Description: 2.54mm (.100") Pitch SL™ Header, Single Row, Vertical, Shrouded, 20 Circuits, Tin (Sn) Over Nickel (Ni) Plating

Documents:

[Drawing \(PDF\)](#) [Product Specification PS-74095-001 \(PDF\)](#)
[Product Specification PS-70400 \(PDF\)](#) [RoHS Certificate of Compliance \(PDF\)](#)

Agency Certification

CSA LR19980
 UL E29179

General

Product Family PCB Headers
 Series [74095](#)
 Application Wire-to-Board
 Product Name SL™

Physical

Breakaway No
 Circuits (Loaded) 20
 Circuits (maximum) 20
 Color - Resin Black
 Durability (mating cycles max) 25
 First Mate / Last Break No
 Flammability 94V-0
 Glow-Wire Compliant No
 Guide to Mating Part No
 Keying to Mating Part None
 Lock to Mating Part Yes
 Material - Metal Copper Alloy
 Material - Plating Mating Tin
 Material - Plating Termination Tin
 Material - Resin High Temperature Thermoplastic
 Number of Rows 1
 Orientation Vertical
 PC Tail Length (in) 0.174 In
 PC Tail Length (mm) 4.41 mm
 PCB Locator No
 PCB Retention None
 PCB Thickness Recommended (in) 0.093 In
 PCB Thickness Recommended (mm) 2.36 mm
 Packaging Type Tube
 Pitch - Mating Interface (in) 0.100 In
 Pitch - Mating Interface (mm) 2.54 mm
 Pitch - Term. Interface (in) 0.100 In
 Pitch - Term. Interface (mm) 2.54 mm
 Polarized to Mating Part Yes
 Polarized to PCB No
 Shrouded Fully
 Stackable No
 Surface Mount Compatible (SMC) No
 Temperature Range - Operating -40°C to +105°C
 Termination Interface: Style Through Hole - Compliant Pin

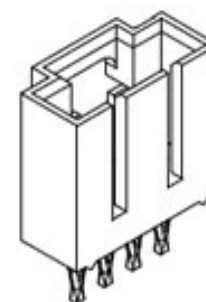


image - Reference only

Series

EU RoHS

ELV and RoHS Compliant
REACH SVHC
 Not Reviewed
Halogen-Free Status

China RoHS



Not Halogen-Free

Need more information on product environmental compliance?

Email productcompliance@molex.com
 For a multiple part number RoHS Certificate of Compliance, [click here](#)

Please visit the [Contact Us](#) section for any non-product compliance questions.

Search Parts in this Series

[74095Series](#)

Electrical

Current - Maximum per Contact

3A

Voltage - Maximum

250V

Material Info**Reference - Drawing Numbers**

Product Specification

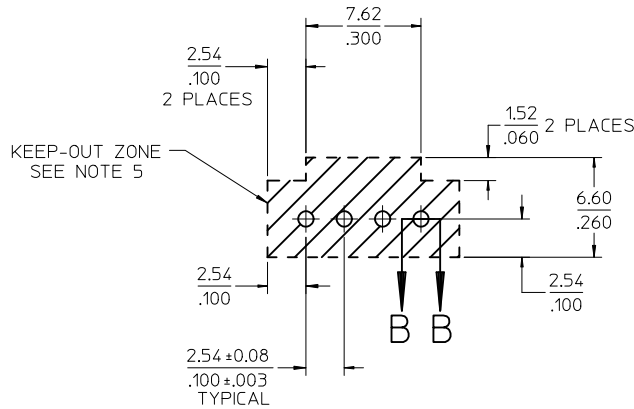
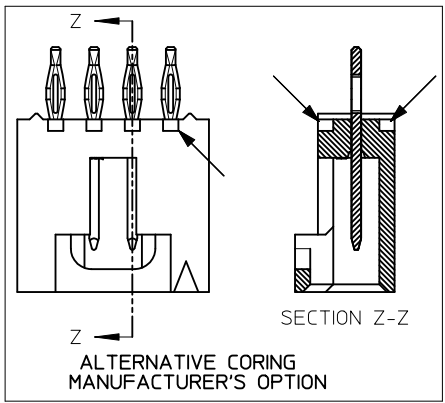
PS-70400, PS-74095-001

Sales Drawing

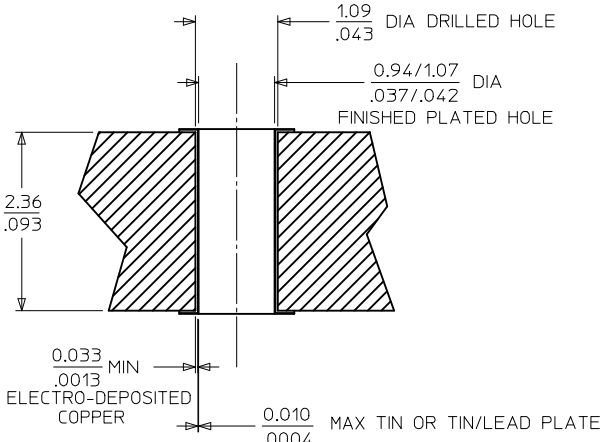
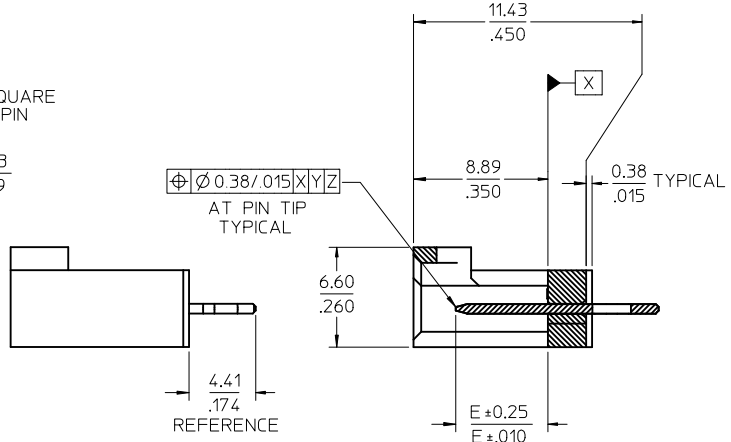
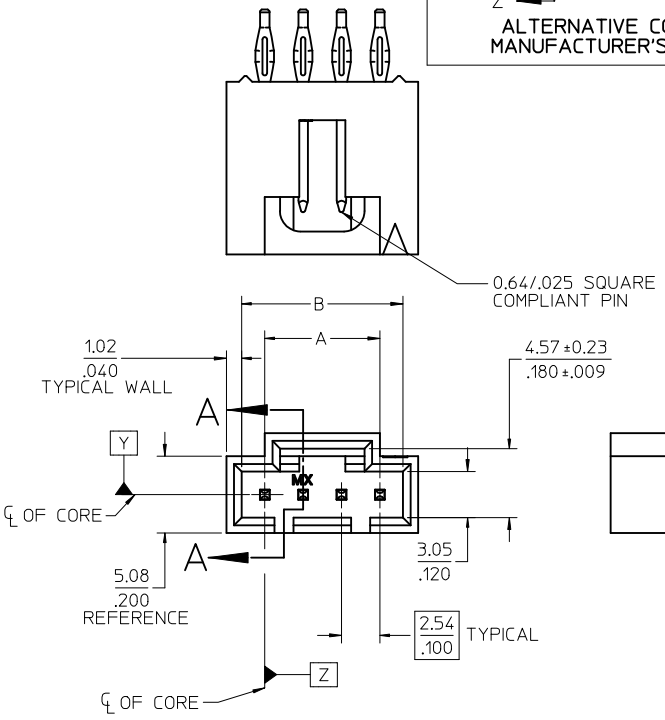
SD-74095-001

This document was generated on 06/07/2010

PLEASE CHECK WWW.MOLEX.COM FOR LATEST PART INFORMATION



| CKT SIZE | DIM A | | DIM B | |
|----------|-------|-------|-------|-------|
| | MM | IN. | MM | IN. |
| 3 | 5.08 | .200 | 8.13 | .320 |
| 4 | 7.62 | .300 | 10.67 | .420 |
| 5 | 10.16 | .400 | 13.21 | .520 |
| 6 | 12.70 | .500 | 15.75 | .620 |
| 7 | 15.24 | .600 | 18.29 | .720 |
| 8 | 17.78 | .700 | 20.83 | .820 |
| 9 | 20.32 | .800 | 23.37 | .920 |
| 10 | 22.86 | .900 | 25.91 | 1.020 |
| 11 | 25.40 | 1.000 | 28.45 | 1.120 |
| 12 | 27.94 | 1.100 | 30.99 | 1.220 |
| 13 | 30.48 | 1.200 | 33.53 | 1.320 |
| 14 | 33.02 | 1.300 | 36.07 | 1.420 |
| 15 | 35.56 | 1.400 | 38.61 | 1.520 |
| 16 | 38.10 | 1.500 | 41.15 | 1.620 |
| 17 | 40.64 | 1.600 | 43.69 | 1.720 |
| 18 | 43.18 | 1.700 | 46.23 | 1.820 |
| 19 | 45.72 | 1.800 | 48.77 | 1.920 |
| 20 | 48.26 | 1.900 | 51.31 | 2.020 |
| 21 | 50.80 | 2.000 | 53.85 | 2.120 |
| 22 | 53.34 | 2.100 | 56.39 | 2.220 |
| 23 | 55.88 | 2.200 | 58.93 | 2.320 |
| 24 | 58.42 | 2.300 | 61.47 | 2.420 |
| 25 | 60.96 | 2.400 | 64.01 | 2.520 |



- NOTES:
- MATERIAL:
HOUSING: GLASS FILLED POLYESTER, UL94V-0, COLOR - BLACK.
PINS: COPPER ALLOY.
 - FINISH:
30 GOLD: 0.76 MICROMETERS/30 MICROINCHES MINIMUM SELECT GOLD
2.54 MICROMETERS/ 100 MICROINCHES MINIMUM SELECT TIN/LEAD OVER NICKEL UNDERPLATE OVERALL
15 GOLD: 0.38 MICROMETERS/15 MICROINCHES MINIMUM SELECT GOLD
2.54 MICROMETERS/ 100 MICROINCHES MINIMUM SELECT TIN/LEAD OVER NICKEL UNDERPLATE OVERALL
TIN: 5.08 MICROMETERS/200 MICROINCHES MINIMUM TIN OVER NICKEL UNDERPLATE OVERALL
 - PRODUCT SPECIFICATION: PS-74095-001
 - PACKAGING SPECIFICATION: PK-70873-0014
 - NO FEATURES WHICH RISE ABOVE THE PCB SURFACE ALLOWED IN THIS AREA
 - THIS PART CONFORMS TO MOLEX COSMETIC SPECIFICATION: PS-45992-002 CLASS C

3 CIRCUIT

| REV | DESCRIPTION | QUALITY SYMBOLS | GENERAL TOLERANCES (UNLESS SPECIFIED) | | DIMENSION STYLE MM/IN | SCALE 4:1 | DESIGN UNITS INCH | THIRD ANGLE PROJECTION | |
|---|---|-------------------|---|------------|---------------------------|--|---------------------------|------------------------|------------------------|
| | | | mm | INCH | | | | | |
| B | ADD 4, 16 & 20 CKT EC NO: UCP2010-1046 DRAWN BY: DRWINHISIBARRA CHECKED BY: CHKDUMORGAN APPR: SMILLER | ▽=0 ▽=0 ▽=0 | 4 PLACES ± --- ± --- 3 PLACES ± --- ± .005 2 PLACES ± 0.13 ± .010 1 PLACE ± 0.25 ± --- ANGULAR ± 1/2° | mm INCH | MM/IN | DRAWN BY: MIBARRA DATE: 2008/07/18 CHECKED BY: DMORGAN DATE: 2008/07/18 APPROVED BY: SMILLER DATE: 2007/08/18 | SCALE: 4:1 | DESIGN UNITS: INCH | THIRD ANGLE PROJECTION |
| DRAFT WHERE APPLICABLE MUST REMAIN WITHIN DIMENSIONS | | | SEE TABLE | | MATERIAL NO. DOCUMENT NO. | | MATERIAL NO. DOCUMENT NO. | | SHEET NO. |
| | | | | | MATERIAL NO. DOCUMENT NO. | | MATERIAL NO. DOCUMENT NO. | | SHEET NO. |
| THIS DRAWING CONTAINS INFORMATION THAT IS PROPRIETARY TO MOLEX INCORPORATED AND SHOULD NOT BE USED WITHOUT WRITTEN PERMISSION | | | | | | | | | |

SALES ASSY, SL VERTICAL
HEADER W/COMPLIANT PIN
NO PEGS

MOLEX INCORPORATED

SD-74095-001

1 OF 2

| CIRCUIT SIZE | ITEM NUMBER 74095 | DIM E | PLATING SEE NOTE 6 | MATING END PLATING | PC BOARD END PLATING |
|--------------|----------------------|--------------|--------------------------|--------------------|----------------------|
| | | | | TYPE | TYPE |
| 4 | -0004 | 7.49 .295 | TIN | TIN | TIN |
| 4 | -0034 | 7.49 .295 | 15 GOLD | GOLD | TIN/LEAD |
| 4 | -0064 | 7.49 .295 | 30 GOLD | GOLD | TIN/LEAD |
| 16,20,25 | -0016,-0020 -0025 | 7.49 .295 | TIN | TIN | TIN |
| 16,20,25 | -0046,-0050 -0055 | 7.49 .295 | 15 GOLD | GOLD | TIN/LEAD |
| 16,20,25 | -0076,-0080 -0085 | 7.49 .295 | 30 GOLD | GOLD | TIN/LEAD |

| CIRCUIT SIZE | ASSEMBLY ITEM NUMBER | ASSEMBLY ITEM NUMBER | ASSEMBLY ITEM NUMBER | ASSEMBLY ITEM NUMBER | ASSEMBLY ITEM NUMBER | ASSEMBLY ITEM NUMBER |
|--------------|----------------------|----------------------|----------------------|----------------------|----------------------|----------------------|
| 3 | | | | | | |
| 4 | 74095-0004 | 74095-0034 | 74095-0064 | | | |
| 5 | | | | | | |
| 6 | | | | | | |
| 7 | | | | | | |
| 8 | | | | | | |
| 9 | | | | | | |
| 10 | | | | | | |
| 11 | | | | | | |
| 12 | | | | | | |
| 13 | | | | | | |
| 14 | | | | | | |
| 15 | | | | | | |
| 16 | 74095-0016 | 74095-0046 | 74095-0076 | | | |
| 17 | | | | | | |
| 18 | | | | | | |
| 19 | | | | | | |
| 20 | 74095-0020 | 74095-0050 | 74095-0080 | | | |
| 21 | | | | | | |
| 22 | | | | | | |
| 23 | | | | | | |
| 24 | | | | | | |
| 25 | 74095-0025 | 74095-0055 | 74095-0085 | | | |

| | | | | | | | | | | | |
|---|-------------------------|--|---------------------------------------|-------------|---|--------------------|------------------|------------------------|--|--|--|
| ADD 4, 16 & 20 CKT EC NO: UCP2010-1046 DRWINHISIBARRA 2009/10/21 CHKDJMORGAN 2009/12/01 APPR:SMILLER 2009/12/01 | DESCRIPTION REV B | QUALITY SYMBOLS ▽=0 ▽=0 ▽=0 | GENERAL TOLERANCES (UNLESS SPECIFIED) | | DIMENSION STYLE | SCALE | DESIGN UNITS | THIRD ANGLE PROJECTION | | | |
| | | | | | MM/IN | 1:1 | INCH | | | | |
| | | | | | mm | INCH | DRAWN BY | DATE | SALES ASSY, SL VERTICAL HEADER W/COMPLIANT PIN NO PEGS | | |
| | | | | | 4 PLACES ± --- | ± --- | MIBARRA | 2008/07/18 | | | |
| | | 3 PLACES ± --- | ± .005 | CHECKED BY | DATE | MOLEX INCORPORATED | | | | | |
| | | 2 PLACES ± 0.13 | ± .010 | DMORGAN | 2008/07/18 | | | | | | |
| | | 1 PLACE ± 0.25 | ± --- | APPROVED BY | DATE | SD-74095-001 | | | | | |
| | | ANGULAR ±1/2° | | SMILLER | 2007/08/18 | | | | | | |
| | | DRAFT WHERE APPLICABLE MUST REMAIN WITHIN DIMENSIONS | | SEE TABLE | | DOCUMENT NO. | SHEET NO. 2 OF 2 | | | | |
| | | | | SIZE | THIS DRAWING CONTAINS INFORMATION THAT IS PROPRIETARY TO MOLEX INCORPORATED AND SHOULD NOT BE USED WITHOUT WRITTEN PERMISSION | | | | | | |